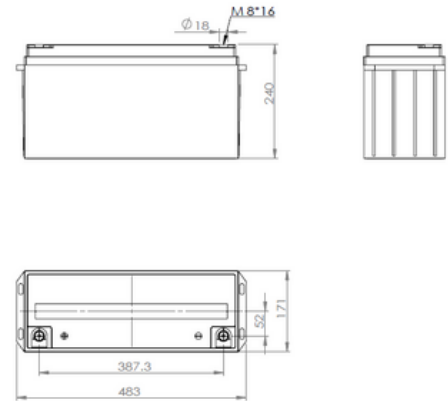




BATERÍA GEL 150AH

Valve Regulated Sealed Gel Battery



SPECIFICATION

Battery Model	LCPC150-12 12V 150Ah			
Design Life (years, 25°C)	10			
Capacity (Ah, 25°C)	10HR (15A, 1.80V) 150	5HR (24.9A, 1.80V) 124.5	3HR (36.75A, 1.80V) 110.25	1HR (81.3A, 1.75V) 81.3
Dimensions (mm)	Length 483	Width 171	Height 240	Total Height 240
Approx. Weight (kg)	42.5			
Reference Internal Resistance (mΩ)	3.6 (Fully Charged @ 25°C)			
Maximum Discharge Current (A)	450			
Self-Discharge (25°C)	≤ 1.5% per month			
Charge Voltage (V/Cell, 25°C)	Cycle Use		Float Use	
	2.40(-3.5mV/°C/Cell), max charge current: 30A		2.27 (-3.5mV/°C/Cell)	

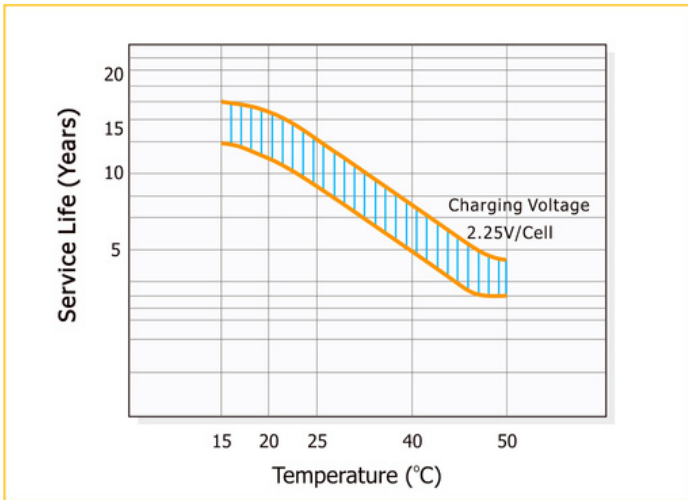
Discharge Data

End Voltage (V/Cell)	h								
	1	3	5	10	20	50	100	120	240
1.70	83.55	38.70	26.18	15.35	7.850	3.330	1.740	1.470	0.780
1.75	81.30	37.95	25.65	15.20	7.725	3.270	1.710	1.449	0.765
1.80	78.75	36.75	24.90	15.00	7.600	3.195	1.680	1.425	0.750
1.85	75.75	35.40	24.00	14.70	7.450	3.105	1.635	1.389	0.735
1.90	72.00	33.75	22.95	14.30	7.250	3.000	1.590	1.350	0.720

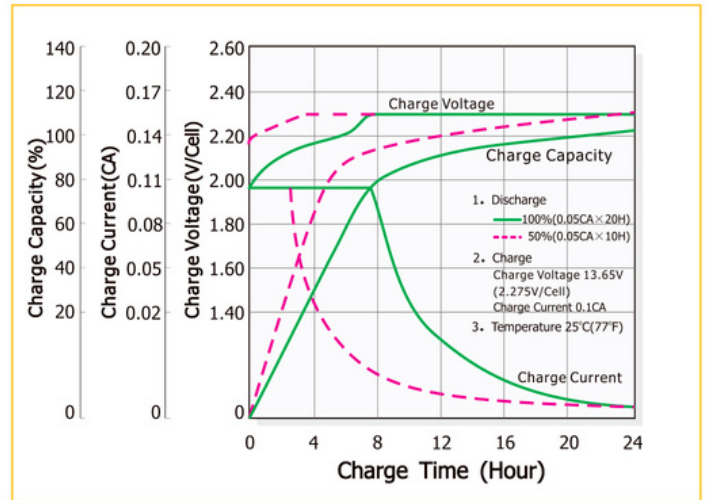
End Voltage (V/Cell)	h								
	1	3	5	10	20	50	100	120	240
1.70	150.50	63.20	45.50	28.30	14.700	7.130	3.850	3.270	1.650
1.75	145.50	62.10	44.40	28.00	14.450	7.050	3.670	3.210	1.620
1.80	141.50	61.10	43.20	27.70	14.200	6.750	3.420	3.090	1.590
1.85	137.00	60.30	42.20	27.10	13.900	6.390	3.250	2.890	1.530
1.90	133.20	59.40	41.00	26.70	13.700	6.150	3.110	2.790	1.500

PERFORMANCE CURVE

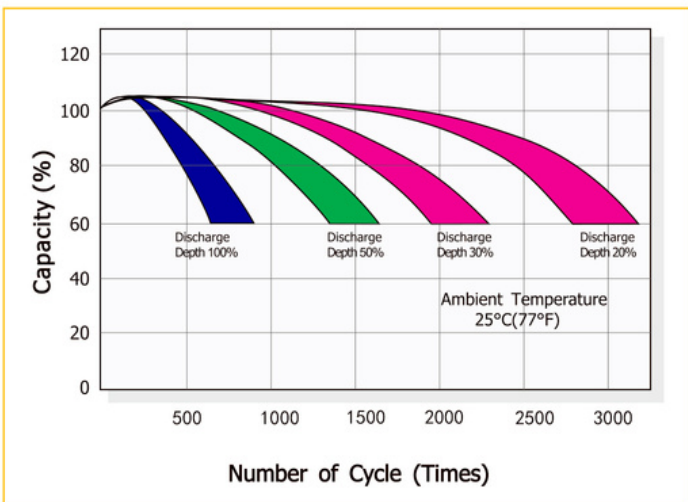
Trickle(or Float) Service Life



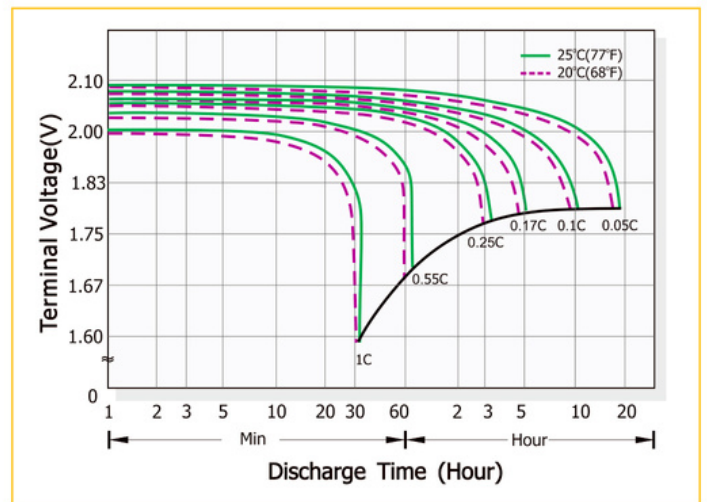
Charge Characteristic



Cycle Service Life



Discharge Characteristic



FEATURES

- Low self-discharge and long shelf life
- Non-Spillable construction
- Safety valve installation for explosion proof
- Exceptional deep discharge recovery performance
- 99.7% pure lead calcium grids and A recognized Component of UL

APPLICATIONS

- Photovoltaic System
- Telecommunications
- Emergency Power System
- Power Plant and power transformer system
- Control Equipment

- IEC 60896-21/22
- DIN 40742
- YD/T 1360-2005

ISO 9001

