

Solar DC Fuse (FDS-160)



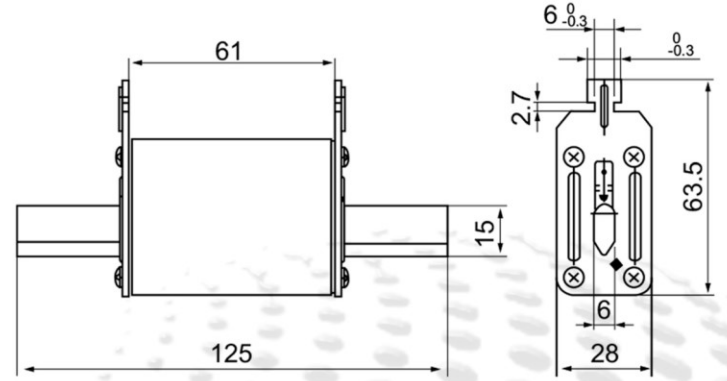
► Application

Fuse features light in weight, small in size, low in power loss and high in breaking capacity. This product has been widely used in overload and short circuit protection of electric installation. This product conforms to ICE 60269 standard with all of the rating at the world advanced level.

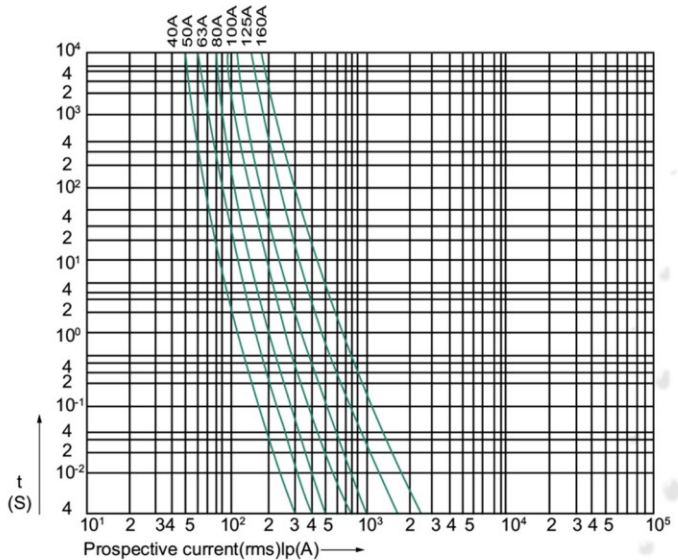
► Structural Characteristics

- According to IEC60269-6
- Rated current: 40-160A
- Rated voltage: DC 1000V
- Rated breaking capacity:DC 50kA
- Operating class gPV for Solar protection
- See Model of product:NH00

► Dimensions



► Characteristic Curve



► Specifications

Rated Voltage U _e (V DC)	1000
Rated Current I _n (A)	40,50,63,80,100,125,160
Biggest Block Ability(KA)	50

► Electrical Characteristics

Rating	Blowing Time	
	1.13I _n	1.45I _n
I _n ≤ 60	1 hour Min	1 hour Max
63 < I _n ≤ 160	2 hour Min	2 hour Max



SOLPHOWER
Efficient PHotovoltaic Power

Contactos:

311 5053145
312 4138473

info@solphower.co

Síguenos:

@solphower

@solphower

📍 Calle 161 No 16-35 Of. 301
Barrio Las Orquideas
Bogotá D.C.

www.solphower.co